

CO-40/60 mass flow meter

Technical data

The mass flow meter type **CO-40/60** offers a high precision measurement device for bulk solids combined with easy installation procedure in existing material flows.

- Industrial design with a minimum of moving parts, ensure maximum reliability with easy maintenance.
- Designed for easy installation with lowest distance between inlet and outlet flanges.
- Only cables for mains power and transducer/tachometer connection required to instrumentation.
- Optional stainless-steel design and turbines for abrasive materials available.

Advanced Flow Controller with functions such as: Flow indication and Totalising. Optional controller with PID regulation and batch-out functions available.



Capacity	CO-40	CO-60
Capacity	Min 2.000 kg/h Max 40 t/h ~ 100 m ³ /h	3.000 kg/h 60 t/h ~ 100 m ³ /h
Bulk density	Min.	0,3 t/m ³
Product size	Max	10 mm
Material temperature	Max	100 °C

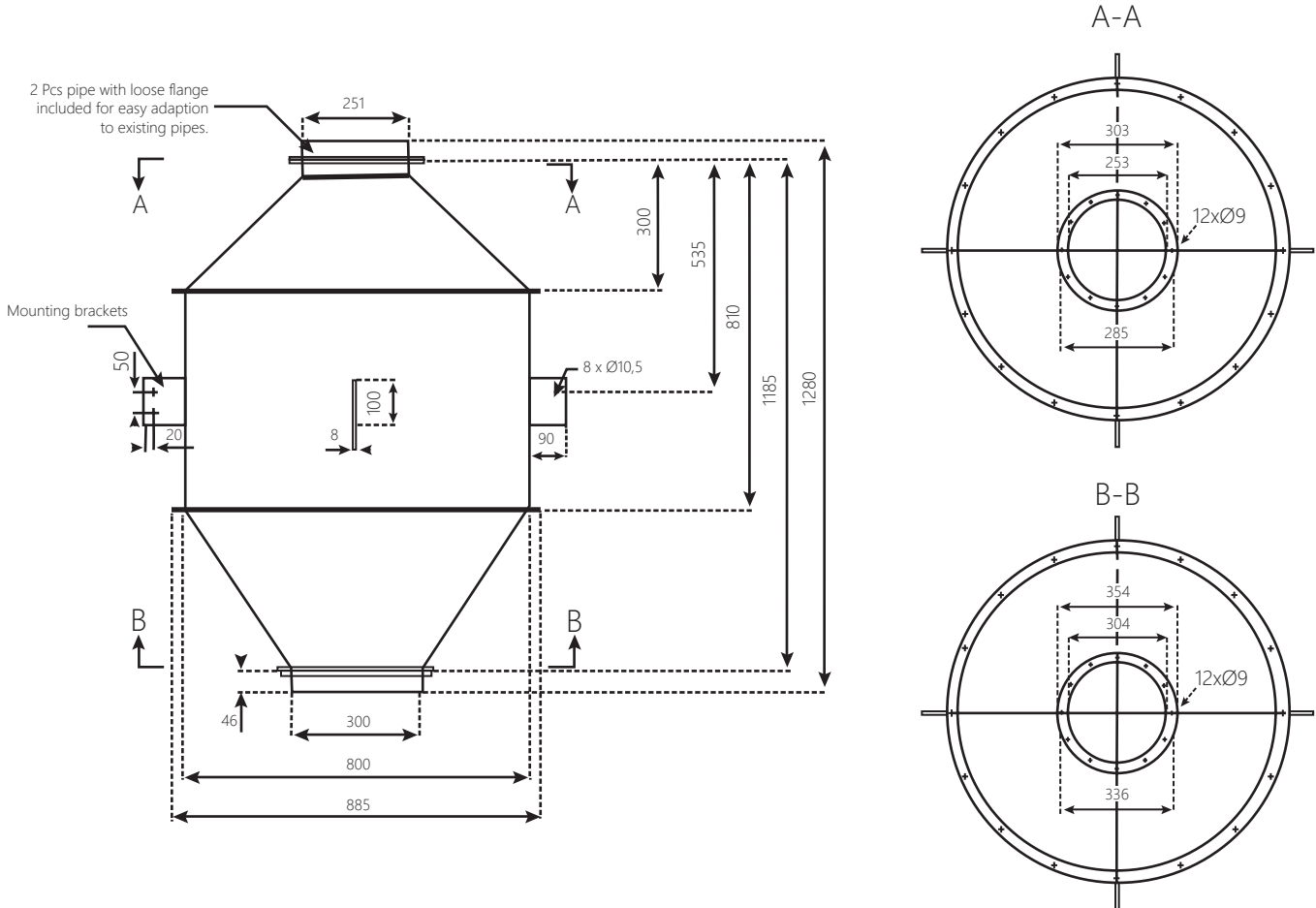
* Limits are for guidance and depend on material specifications.

Technical data	
Ambient temp.	0-40 °C
Material inlet/outlet	250/350 mm
Accuracy	0,5-1,0 % (depending on capacity and/or material.)
Repeatability	0,1 %
Drive	3-phase 400V, 1,1kW, IP54
Load sensor	S-E-G Torque transducer type ON4-, IP67

Additional	
Motor Control	By frequency controller
Design	Standard Blue industrial coating Optional Stainless steel SIS 2333 (AISI 304)
Weight	Aprox. 130 kg

Dimensions

All dimensions are in mm +/- 5.



Designations

Flow meter	CO-40B	CO-60B
Load sensors	ON4-35	
Frequency controller	CON-150	
Controller	Model T3650 (Spec. T42-650E)	Model A2-F12 (Spec. F44-F12E)

Options

- Turbine for abrasive materials
- High temperature version
- Design in Stainless Steel SIS2333 (AISI304)
- By-pass tube